



# TAI-SAW TECHNOLOGY CO., LTD.

No. 3, Industrial 2nd Rd., Ping-Chen Industrial District,  
Taoyuan, 324, Taiwan, R.O.C.

TEL: 886-3-4690038 FAX: 886-3-4697532

E-mail: [tstsales@mail.taisaw.com](mailto:tstsales@mail.taisaw.com) Web: [www.taisaw.com](http://www.taisaw.com)

## Product Specifications Approval Sheet

Product Name: SAW Rx Filter 881.5MHz LTE Band 5 SMD 1109

TST Parts No.: TA1811DN

Customer Part No.: \_\_\_\_\_

Customer signature required
Company: _____
Division: _____
Approved by : _____
Date: _____

Checked by: \_\_\_\_\_ Sam Lin *Sam Lin*

Approved by: \_\_\_\_\_ Andy Yu *Andy Yu*

Date: \_\_\_\_\_ 2017/12/26

1. Customer signed back is required before TST can proceed with sample build and receive orders.
2. Orders received without customer signed back will be regarded as agreement on the specifications.
3. Any specifications changes must be approved upon by both parties and a new revision of specifications shall be released to reflect the change



# TAI-SAW TECHNOLOGY CO., LTD.

No. 3, Industrial 2nd Rd., Ping-Chen Industrial District,  
Taoyuan, 324, Taiwan, R.O.C.

TEL: 886-3-4690038 FAX: 886-3-4697532

E-mail: [tstsales@mail.taisaw.com](mailto:tstsales@mail.taisaw.com) Web: [www.taisaw.com](http://www.taisaw.com)

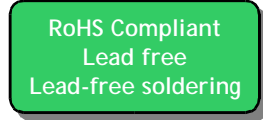
## SAW Rx Filter 881.5MHz LTE Band 5 SMD 1109 (25MHz BW)

MODEL NO.: TA1811DN

REV. No.: 1.0

### A. MAXIMUM RATING:

1. Maximum Input Power: 13 dBm
2. DC voltage: 0 V
3. Operating Temperature: -40°C to +105°C
4. Storage Temperature: -40°C to +85°C
5. Moisture Sensitivity Level: Level 3
6. ESD 100V(MM) 200V(HBM)



Electrostatic Sensitive Device (ESD)

### B. ELECTRICAL CHARACTERISTICS:

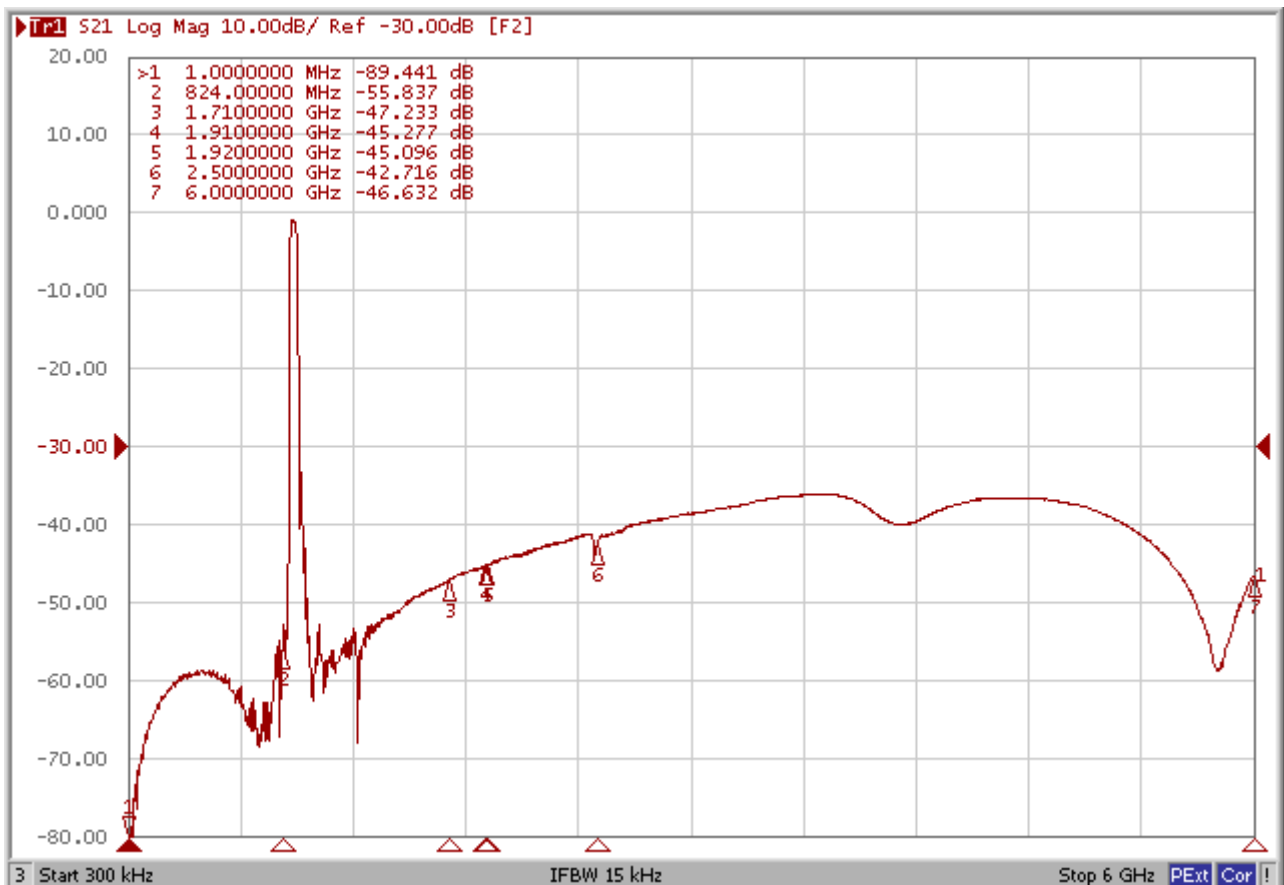
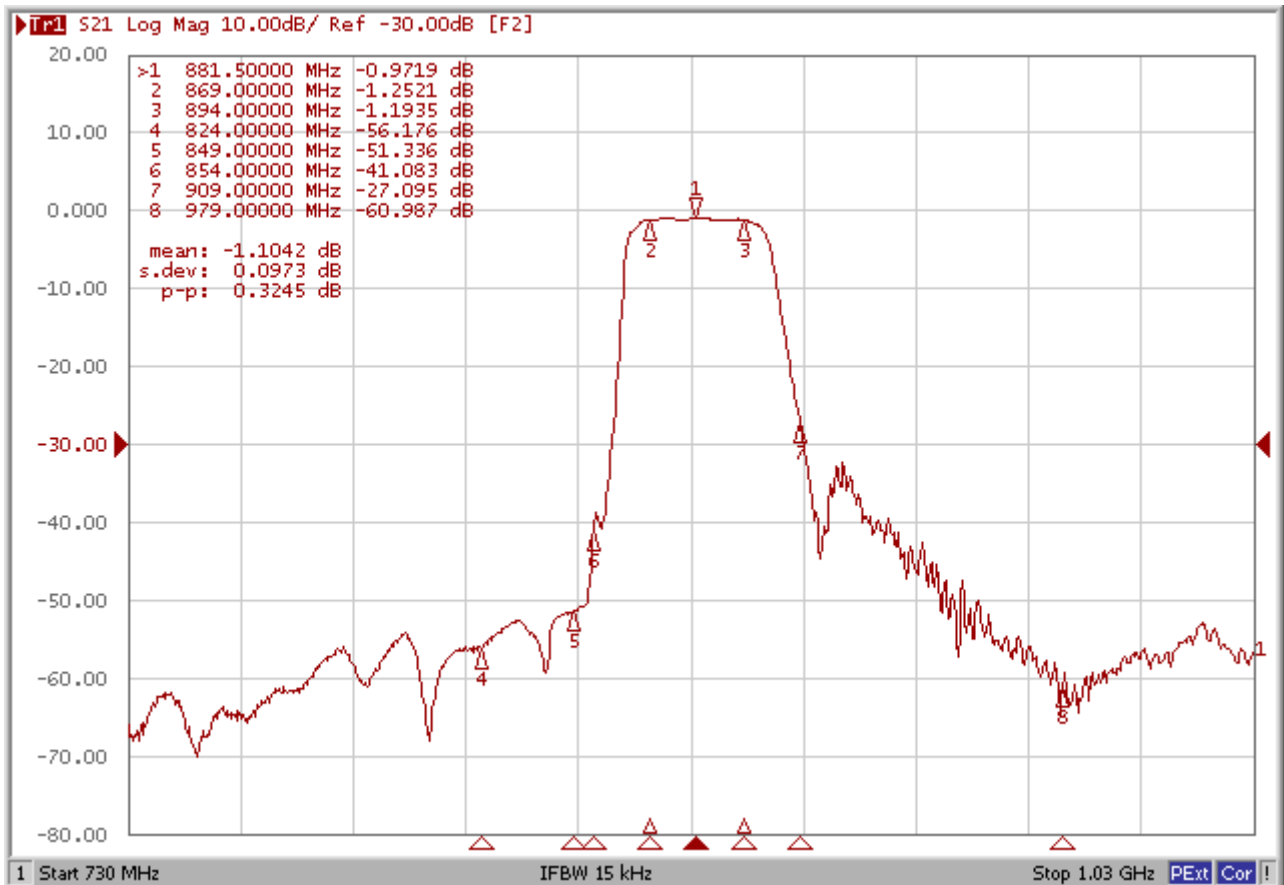
Source Impedance (single ended): 50Ω

Load Impedance (single ended): 50Ω

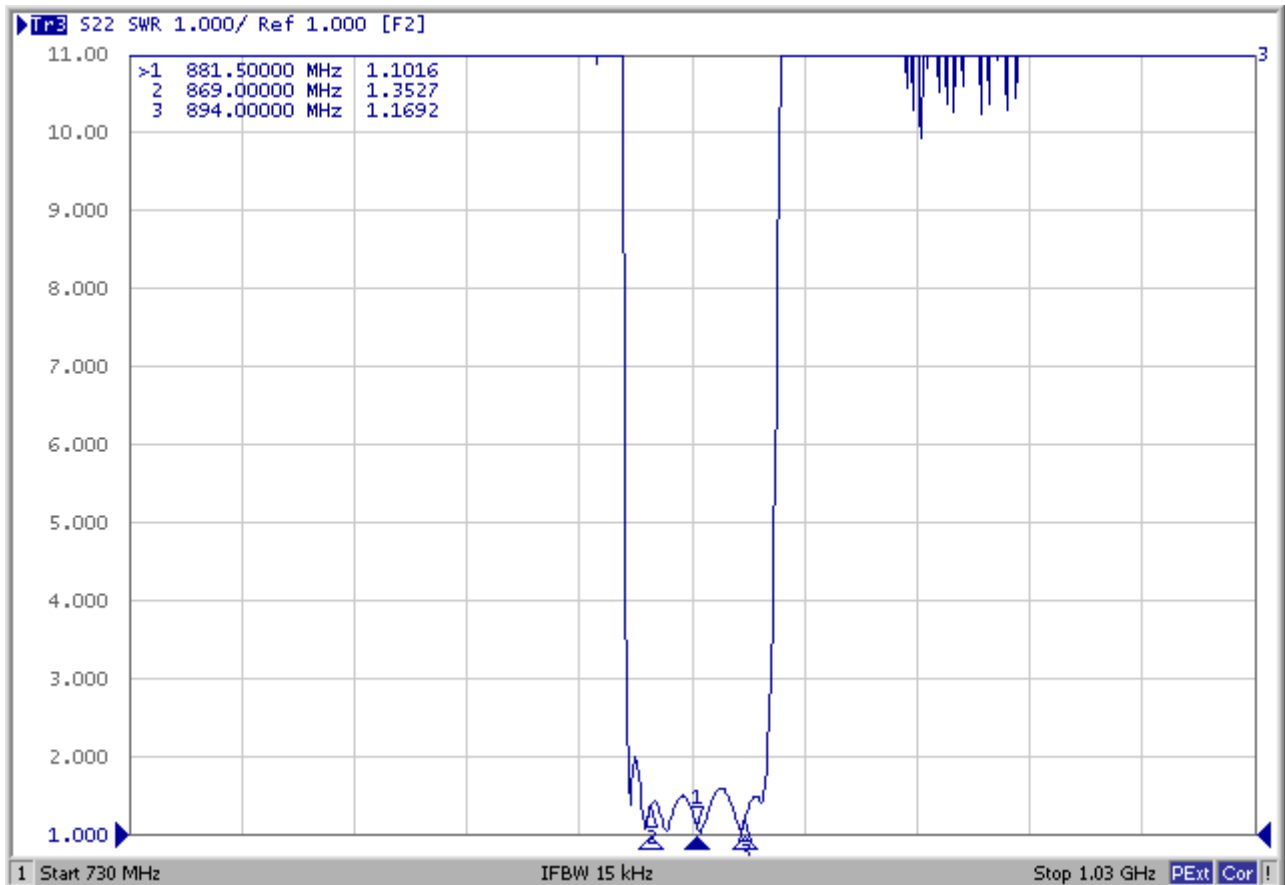
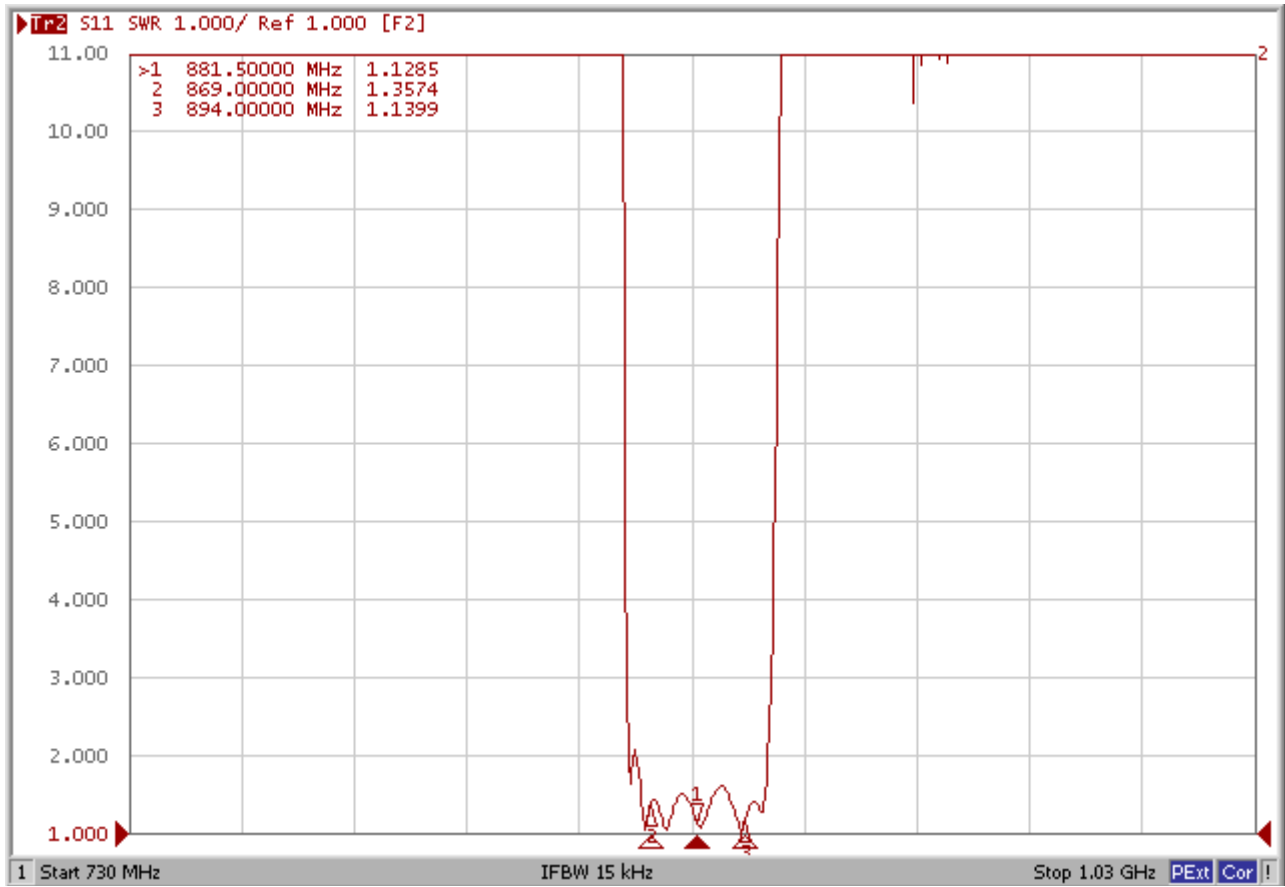
Parameters Description		Unit	Mini	Typical	Max
Center Frequency (Fo)		MHz	-	881.5	
Insertion Loss	869.0 ~ 894.0 MHz	dB	-	1.3	1.8
Amplitude Ripple		dB <sub>p-p</sub>	-	0.3	1.1
Input VSWR		-	-	1.6	2.0
Output VSWR		-	-	1.6	2.0
<b>Attenuation:</b>					
1.0~ 824.0 MHz		dB	48	54	-
824.0 ~ 849.0 MHz		dB	46	51	-
849.0 ~ 854.0 MHz		dB	30	41	-
909.0 ~ 979.0 MHz		dB	20	27	-
1710.0 ~ 1910.0 MHz		dB	40	45	-
1920.0 ~ 2500.0 MHz		dB	35	41	-
2500.0 ~ 6000.0 MHz		dB	30	36	-

### C. Frequency Characteristics :

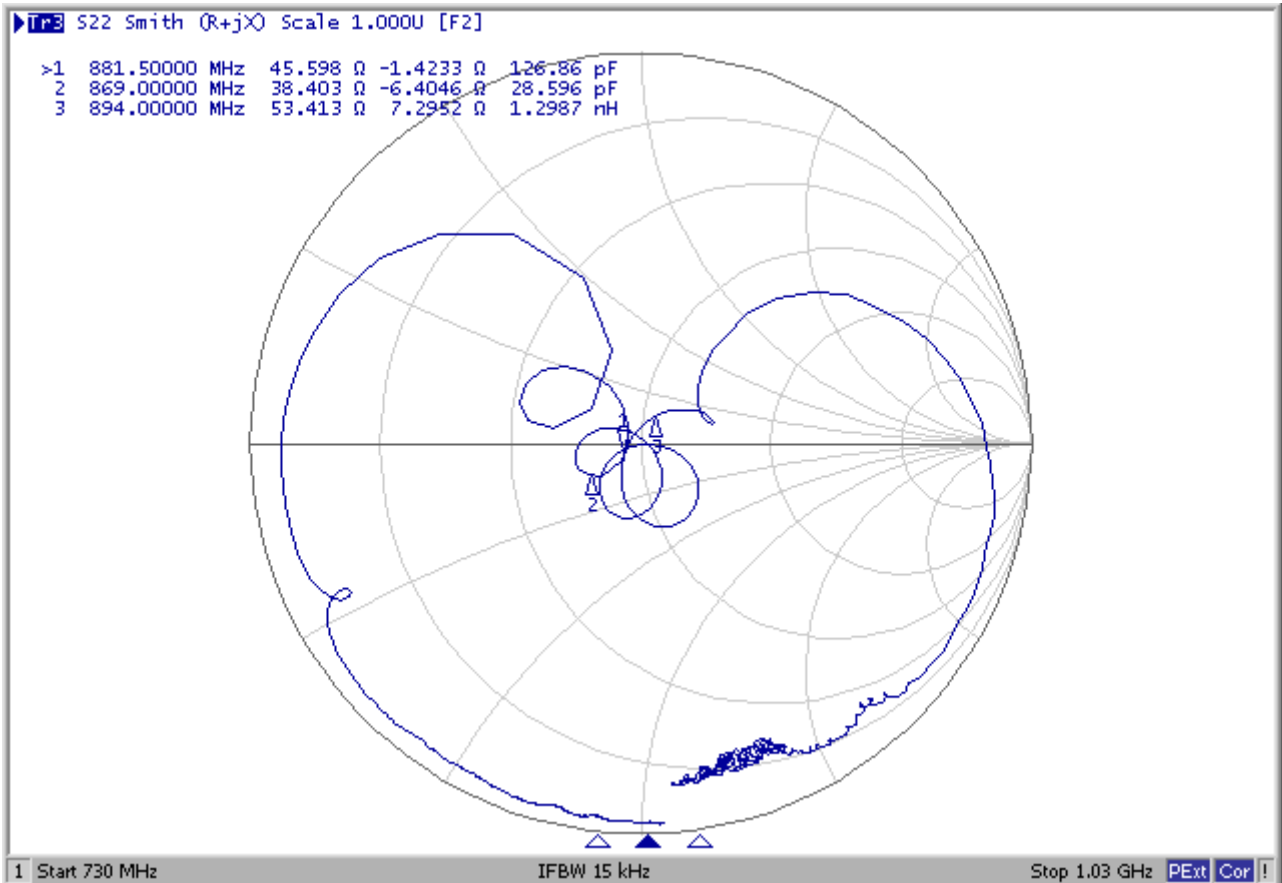
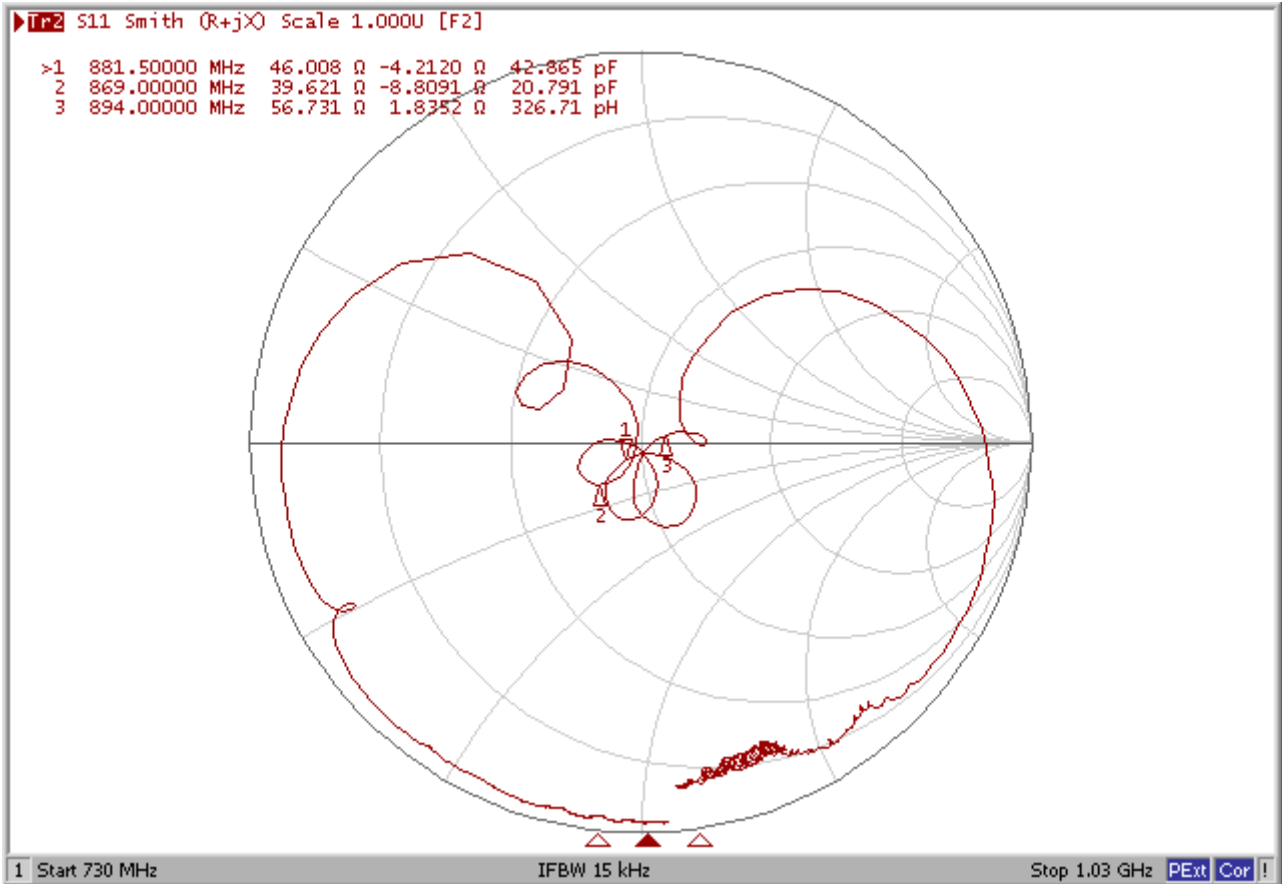
#### Frequency Response



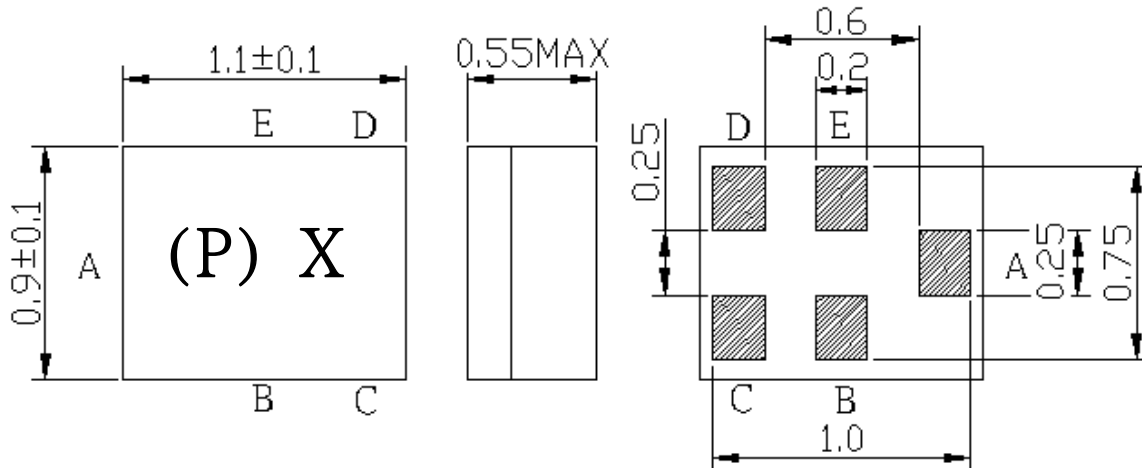
# VSWR



## Smith Chart



**D.OUTLINE DRAWING:**



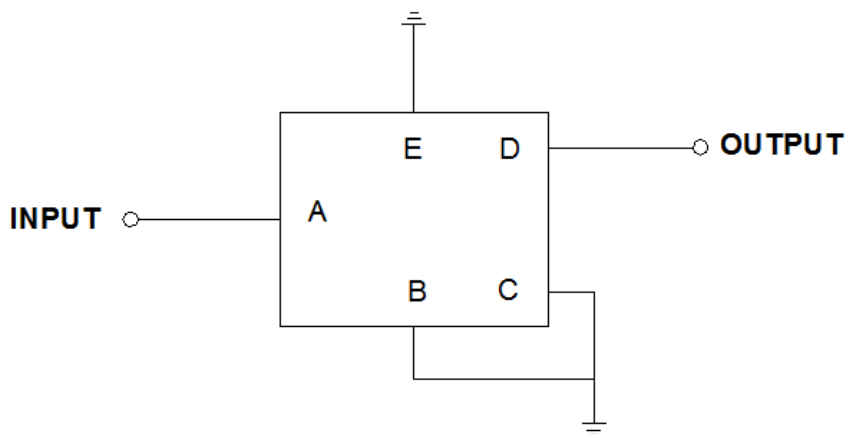
Marking Descriptions	
(P)	Series Number
X	Date Code(Year+Month)

Pin Description	
B, C, E	Ground
A	Input
D	Output

**Product date Code :**

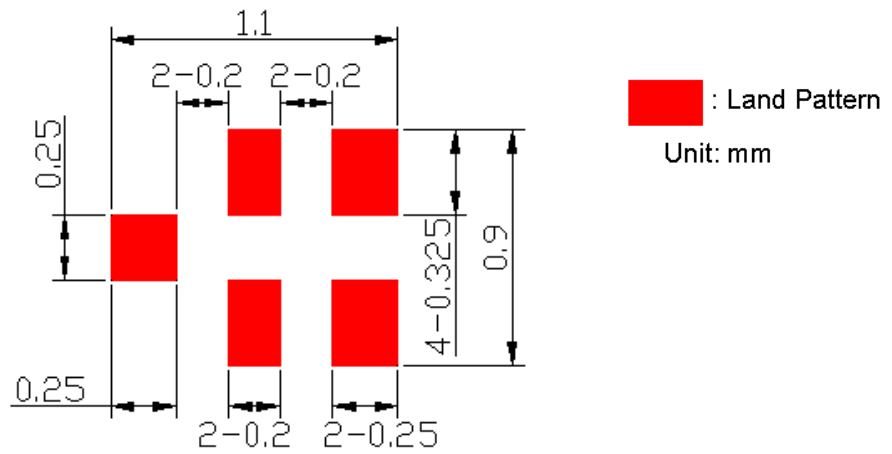
Year	Jan	Feb	Mar	Apr	May	Jun	Jul	Aug	Sep	Oct	Nov	Dec
2015	a	b	c	d	e	f	g	h	j	k	l	m
2016	n	p	q	r	s	t	u	v	w	x	y	z
2017	<u>A</u>	<u>B</u>	<u>C</u>	<u>D</u>	<u>E</u>	<u>F</u>	<u>G</u>	<u>H</u>	<u>J</u>	<u>K</u>	<u>L</u>	<u>M</u>
2018	<u>N</u>	<u>P</u>	<u>Q</u>	<u>R</u>	<u>S</u>	<u>T</u>	<u>U</u>	<u>V</u>	<u>W</u>	<u>X</u>	<u>Y</u>	<u>Z</u>

**E. MEASUREMENT CIRCUIT:**



Source & Load Impedance: 50 Ω

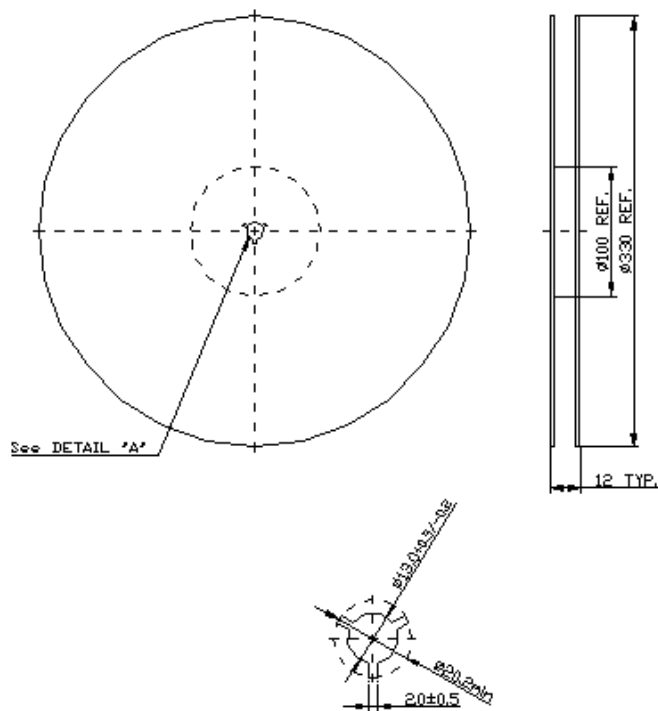
**F. PCB Footprint :**



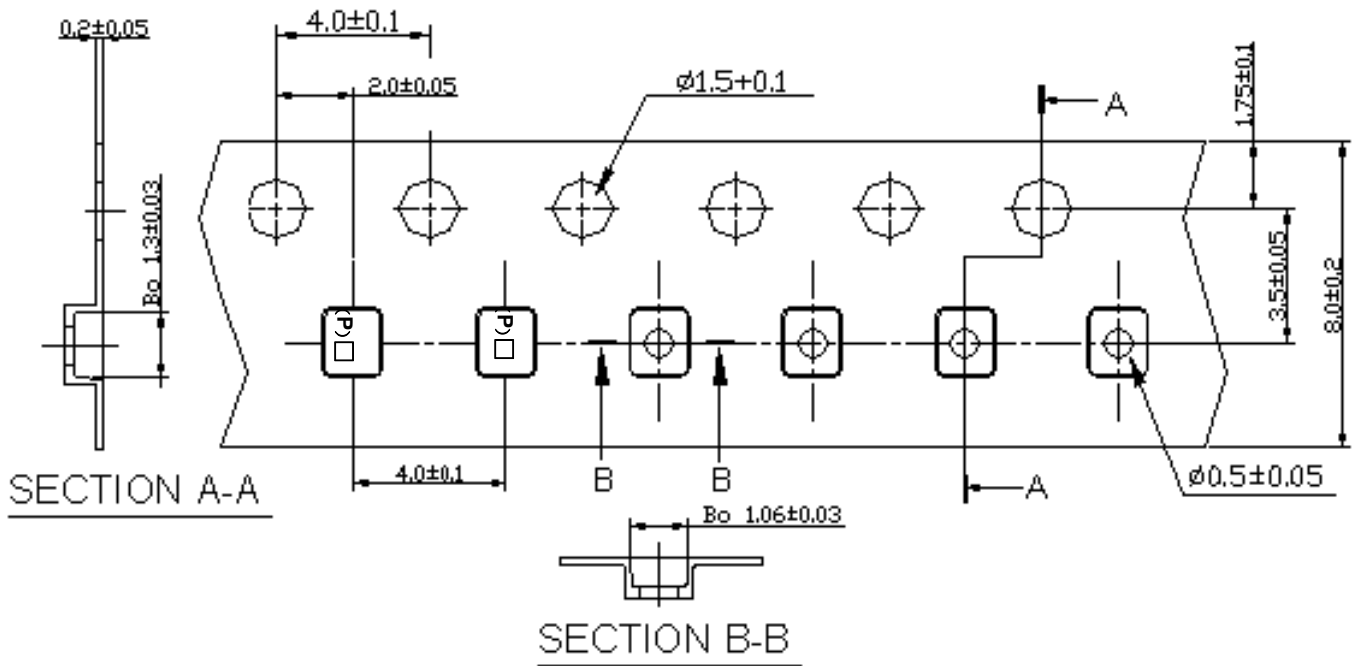
**G. PACKING:**

**1. REEL DIMENSION**

(Please refer to FR-75D10 for packing quantity)



## 2.TAPE DIMENSION



### H. RECOMMENDED REFLOW PROFILE:

1. Preheating shall be fixed at 150~180°C for 60~90 seconds.
2. Ascending time to preheating temperature 150°C shall be 30 seconds min.
3. Heating shall be fixed at 220°C for 50~80 seconds and at 260°C +0/-5°C peak (20~40sec).
4. Time: 2 times.

